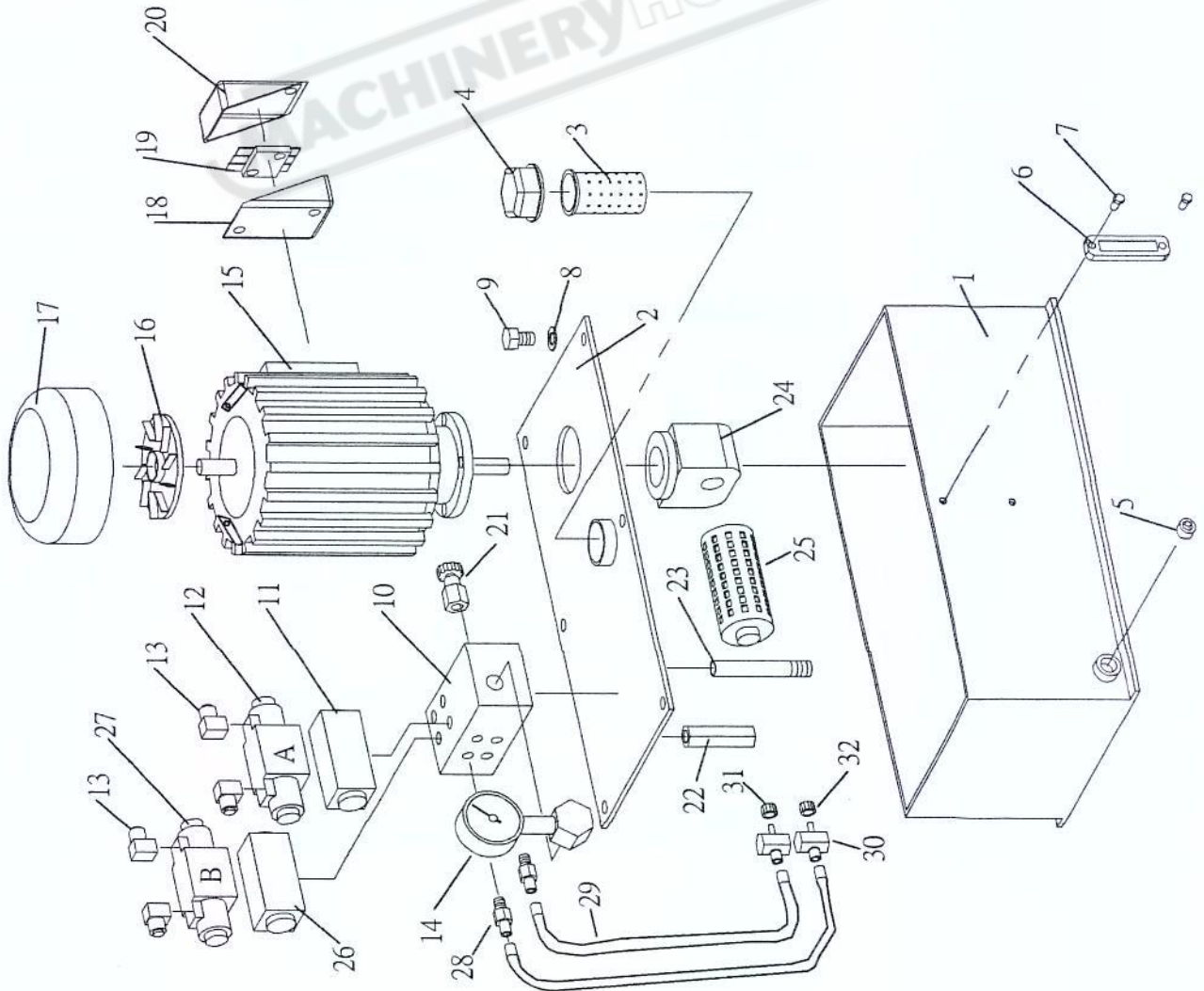


EB-351DSA 零件表(PARTS LIST)

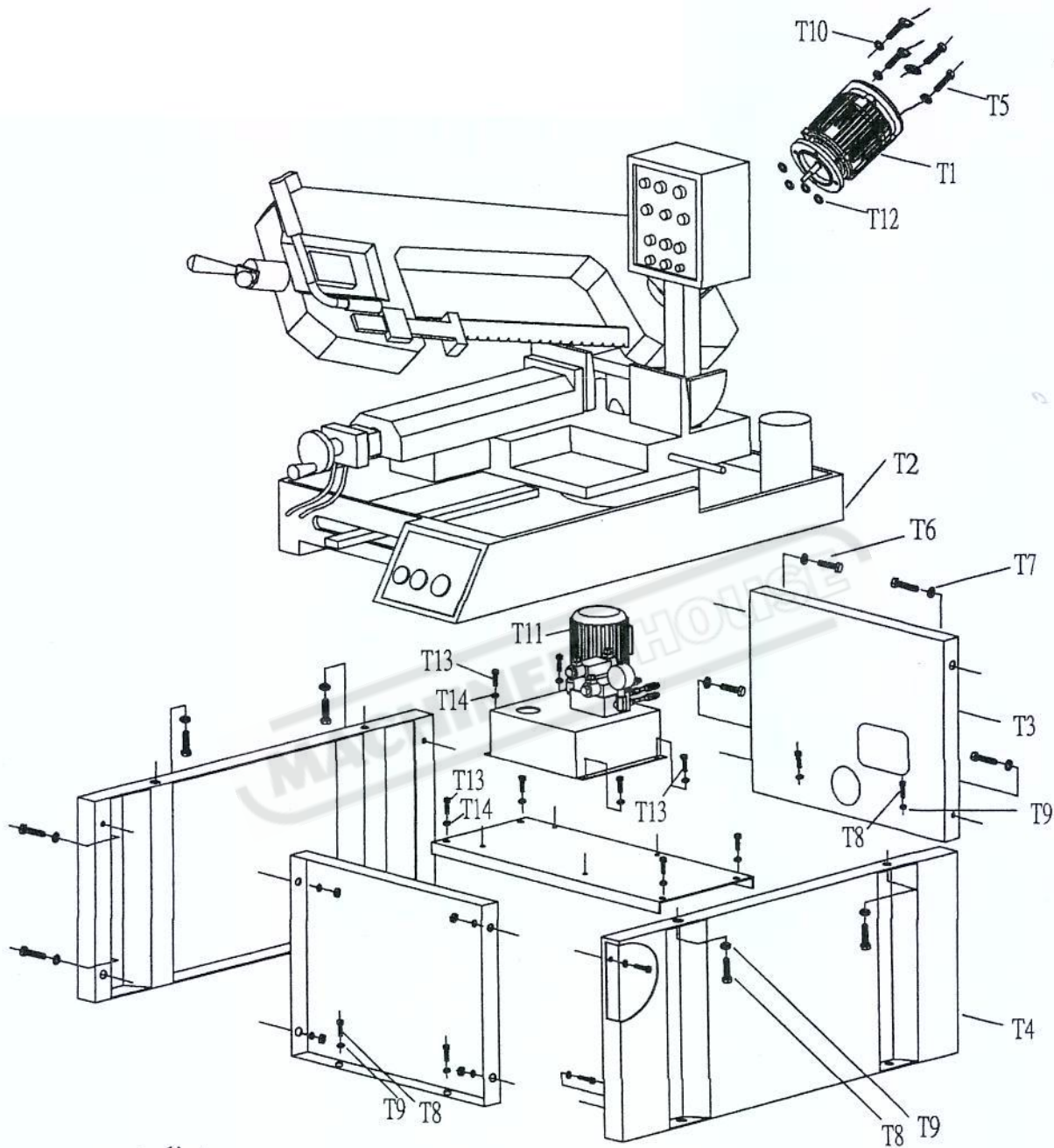
編號	名稱	數量	編號	名稱	數量	編號	名稱	數量
1	BASE/底座	1	43	BLADE-GUIDE UNIT L /割紙-L	2	85	47MM M10 SCREW /47長M10螺絲	1
2	REAR CASING/底座後蓋板	1	44	BLADE-GUIDE UNIT-SQUARE /割紙-方	2	86	44MM M6 SCREW /44長44MM螺絲	1
3	FRONT CASING/底座前蓋板	1	45	33MM M5 SCREW /33長M5螺絲	2	87	GLIDE SCREW /滑動螺絲	1
4	WISE BASE /虎鉗底座	1	46	BIG BRACKET /培林座大支架	1	88	6MM M6 NUT/6寬6MM螺帽	1
5	WISE PIECE /虎鉗底片	1	47	BLADE-GUIDE PLATE L /割紙座	1	89	BLOCK SEAT /檔塊座	1
6	VICE JAW R. /虎鉗座右檔片	1	48	PIVOT L. /左支架軸	1	90	HANGER /吊架	1
7	VICE JAW L. /虎鉗座左檔片	1	49	BIG CYLINDER SEAT /大油壓缸座	1	91	OPERATION BOX操作箱	1
8	58MM SCREW /58長外六角螺絲	1	50	CYLINDER NUT /油壓缸軸頭	1	92	CYLINDER SYSTEM /油壓系統	1
9	M10 NUT /螺帽M10	1	51	CYLINDER AXIS /油壓缸軸	1	93	SCREW /螺絲	1
10	SCALE /指示標	1	52	CYLINDER BRACKET /油壓缸支架	1	94	BRUSH /鋼刷	1
11	TARGET /指標	1	53	WISE CYLINDER /虎鉗座油壓缸	1	95	FIXED CIRCLE /固定圈	1
12	C-RING /C型扣	2	54	REAR CYLINDER HOLDER /後油壓缸支撐架	1	96	NUT /螺帽	1
13	BEARING /培林	4	55	ROUND SEAT /圓座	1	97	BEARING /培林	1
14	COUNTERVICE /虎鉗下座	1	56	BIAS CASE /偏心套	1	98	WASHER /華司	1
15	WISE /虎鉗上座	1	57	RING NILONS /培林蓋	1	99	SCREW /螺絲	1
16	WISE HANDLE BOLT /虎鉗上座把手螺絲	1	58	GASKET /墊片	2	100	MICRO SWITCH /微動開關	2
17	MICRO SWITCH /微動開關	1	59	45MM M6 SCREW /45長M6螺絲	2	101	L PLATE /L板	1
18	HANDLE /任意把手	1	60	SPRING /彈簧	2	102	SCREW /螺絲	4
19	WISE SPRING /虎鉗內彈簧	1	61	WASHER /華司	1	103	FIXED SEAT /固定座	1
20	WISE NUT /牛角牙座	1	62	SCREW /內六角螺絲	1	104	SMALL NAME PLATE /小面板	1
21	WISE LEVER /虎鉗座手柄	1	63	NUT /螺帽	4	105	FLUE /節流閥	1
22	WISE NUT /虎鉗座螺帽	1	64	SCREW /螺絲	1	106	MAIN SWITCH /總開關	1
23	FOUNTAINVISE SHAFT /虎鉗上座油壓桿	1	65	REVOLVING HANDLE /旋轉輪把手	1	107	EMERGENCY STOP /緊急停止	1
24	WISE JAW /小虎鉗檔片	1	66	HOLDER COVER /支撐架護蓋	1	108	GEAR BOX /齒輪箱	1
25	20MM FLAT SCREW /平頭螺絲20MM長	4	67	BRUSH BRACKET /鋼刷輪支架	1	109	ROUND PLATE /圓盤	4
26	PIN /旋轉座主軸	1	68	596MM BLADE GUARD /203長保護片		110	TRANSMISSION GEAR /齒輪	2
27	PIN NUT /旋轉座主軸螺帽	1	69	FIXED BLADE-GUIDE PLATE /固定割紙座	1	111	WORM GEAR /渦桿	1
28	HANDLE /固定把手	1	70	FIXED HANDLE SEAT /把手固定座	1	112	BEARING /培林	1
29	WISE SCREW /虎鉗座角牙桿	1	71	HANDLE /把手	1	113	OIL SEAL /油封	1
30	REVOLVING ARM /旋轉座	1	72	NUT /螺帽	1	114	OIL SEAL /油封	1
31	BODY FRAME /鋸弓	1	73	BLOCK, BLADE TENSION /擋塊	1	115	BEARING /培林	1
32	BLADE COVER /護蓋	1	74	THREADED SHAFT /滑塊後把手螺桿	1	116	MOTOR /馬達	1
33	BLADE GUARD /保護片	1	75	BLADE SHEET SHAFT /滑塊中心桿	1	117	COOLANT PUMP /冷卻幫浦	1
34	REAR FLYWHEEL /鋸輪後	1	76	WASHER /華司	1	118	TRANSPORT SHELF /送料架	1
35	FRONT FLYWHWHL /鋸輪前	1	77	FILTER /鐵網	1	119	WATER TANK SCREW /水箱螺絲	1
36	BLADEGUIDE PLATE R. /割紙座	1	78	BUSHING /銅套	1	120	BEARING /培林6206	1
37	PT PIPE / PT管頭	2	79	TRACKING PLATE /滑塊固定片	2	121	BEARING /培林32006	1
38	13MM M4 SCREW /13長M4螺絲	2	80	REVOLVING ARM COVER /旋轉半護蓋	1	122		
39	BLADE COVER 口 /口型護蓋	1	81	NUT /防滑螺帽	1	123		
40	GUIDE PIVOT /培林軸長	2	82	PIN /插銷	1	124		
41	GUIDE PIVOT /培林軸短	2	83	BLOCK /檔塊	1	125		
42	SMALL BRACKET /培林座小支架	1	84	10MM M10 NUT /10寬10MM螺帽	1	126		

項次編號 No:	PARTS NAME	零件檔案名稱	數量 Q'ty
1	HYDRAULIC BOX	油壓箱	1
2	UPPER COVER	上蓋	1
3	FILTER COVER	濾網	1
4	REFUEL	入油蓋	1
5	LEAKING OIL BOLT	漏油栓	1
6	OIL DISPLAY	油表	1
7	OIL DISPLAY SCREW	油表螺絲	2
8	GASKET	墊片	6
9	SCREW	螺絲	6
10	VALVE BLOCK	調油閥	1
11	NEGATIVE VALVE	逆止閥	1
12	LOW-PRESSURE CONTROL VALVE A	低壓控制閥	1
13	CONNECT PLUG	接線頭	4
14	OIL PRESSURE GAUGE	油壓表	1
15	MOTOR	馬達	1
16	FAN	風葉	1
17	FAN COVER	風葉蓋	1
18	LOWER COVER	馬達下蓋	1
19	CONNECT LINE PLANK	接線板	1
20	MOTOR UPPER COVER	馬達上蓋	1
21	ADJUSTMENT BOLTS	調整栓	1
22	NEGATIVE VALVE	逆止閥	1
23	ARRANGE PIPELINE	排油管	1
24	HYDRAULIC PUMP	油壓幫浦	1
25	FILTER NET	過濾網	1
26	NEGATIVE VALVE	逆止閥	1
27	LOW-PRESSURE CONTROL VALVE B	低壓控制閥	1
28	CONNECTOR HEAD	接管頭	2
29	PIPELINE	油管	2
30	ADJUST OIL VALVE	調油閥	2
31	ADJUST CIRCLE BOLT A	微調圓栓頭 A	1
32	CIRCLE BOLT B (ON/OFF)	圓栓頭 B	1

EB-351DSA Hydraulic Unit



Cabinet Stand for Metal Cutting EB-351DSA Band Saw



parts list

ref. no.	parts name	Qty
T1	motor	1
T2	band saw	1
T3	metal plate	2
T4	metal plate	2
T5	M10 hex.Bolt	4
T6	M8 hex.Bolt	8

T7	Washer	16
T8	M10 hex.Bolt	4
T9	Washer	4
T10	Washer	4
T11	Cylinder Pump	1
T12	M10 hex.nut	4
T13	M6 hex.Bolt	8
T14	Washer	8